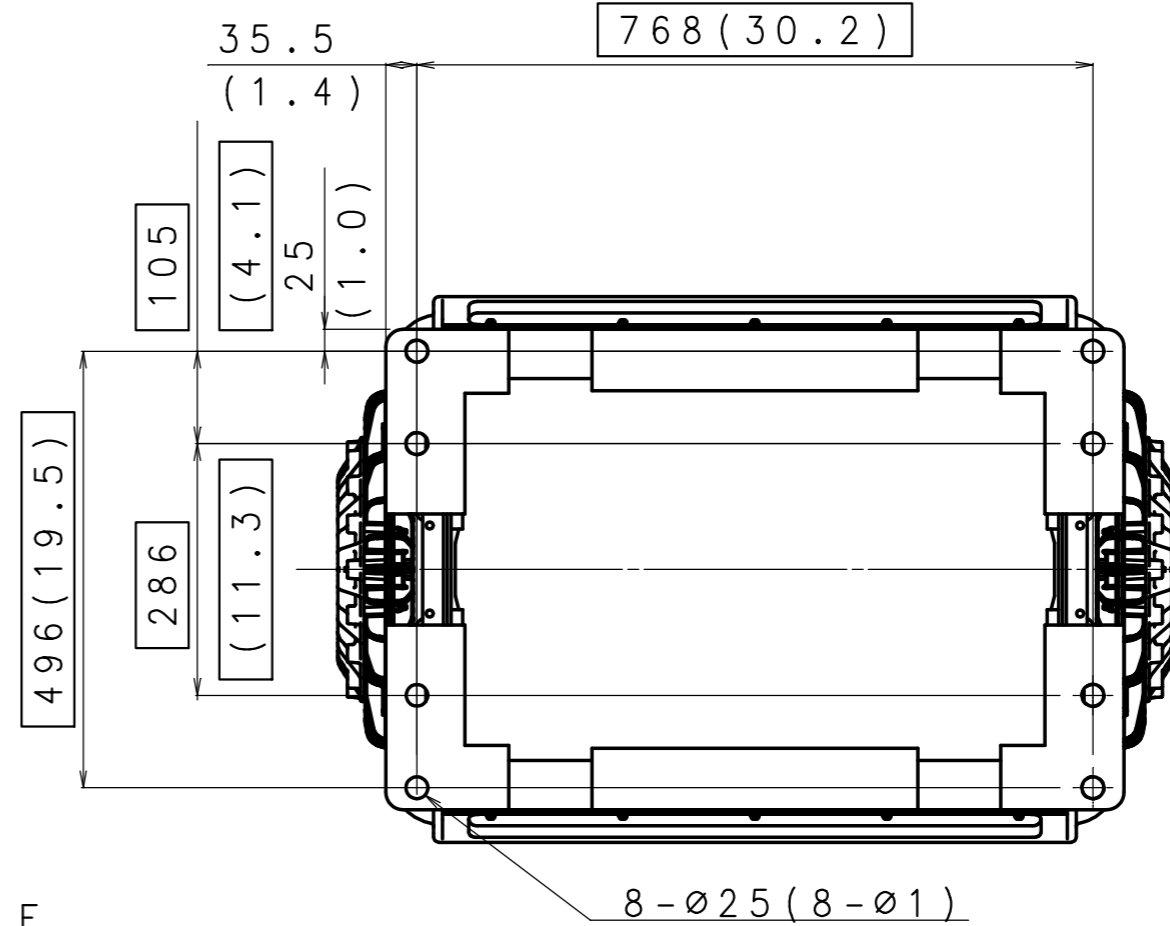
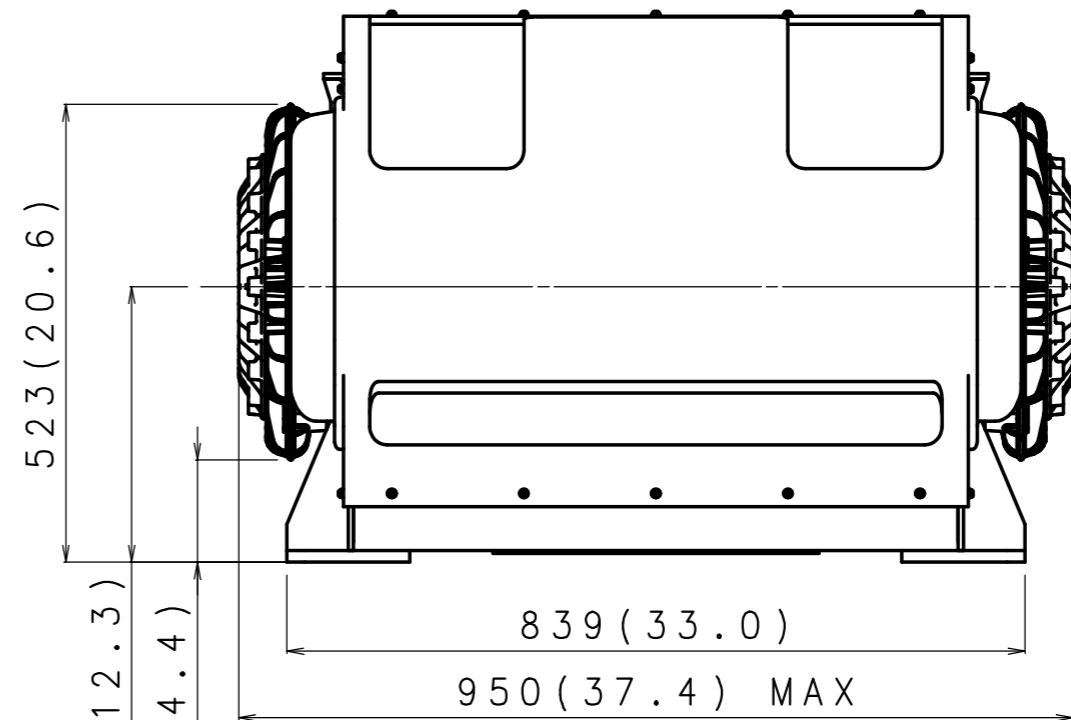
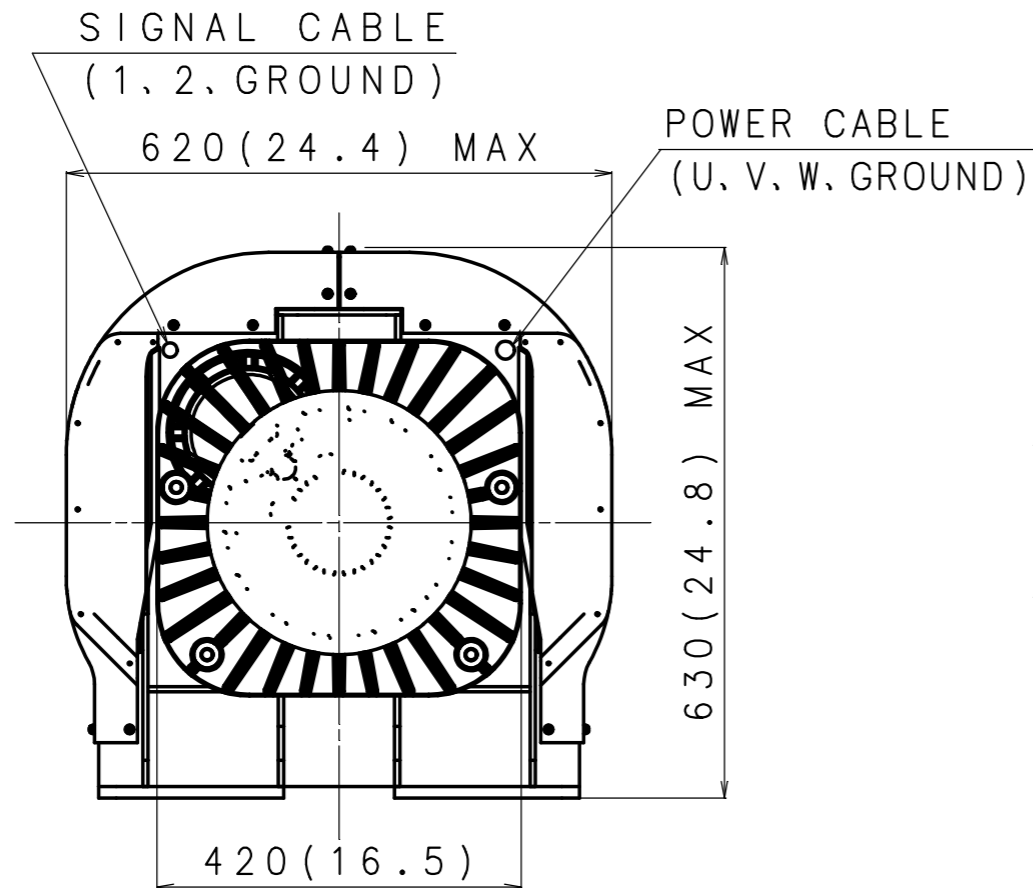


# MSM-17500T-A1 specifications

Name	ARG175T
Model	MSM-17500T-A1
Angular momentum	Apporox. 3500Nms
Anti-Rolling Torque	Apporox. 17500Nm(MAX)
Dimensions	950mm(width)x620mm(depth)x630mm(height) 37.4inches(width)x24.4inches(depth)x24.8inches(height)
Weight	Apporox. 380kg/838lbs
Rotational speed	Apporox. 4600rpm
Power consumption (Steady-state)	Approx. 3.5kW / For single-phase Power supply $\phi$ 220-240VAC Approx. 3.0kW / For three-phase Power supply $\phi$ 200-240VAC
Power consumption (MAX)	Approx. 4.3kW / For single-phase Power supply $\phi$ 220-240VAC Approx. 4.0kW / For three-phase Power supply $\phi$ 200-240VAC



VIEW A



↑ A

MSM-17500T-A1

unit:mm(inch)

名称 TITLE  
Anti Rolling Gyro  
MSM-17500T-A1