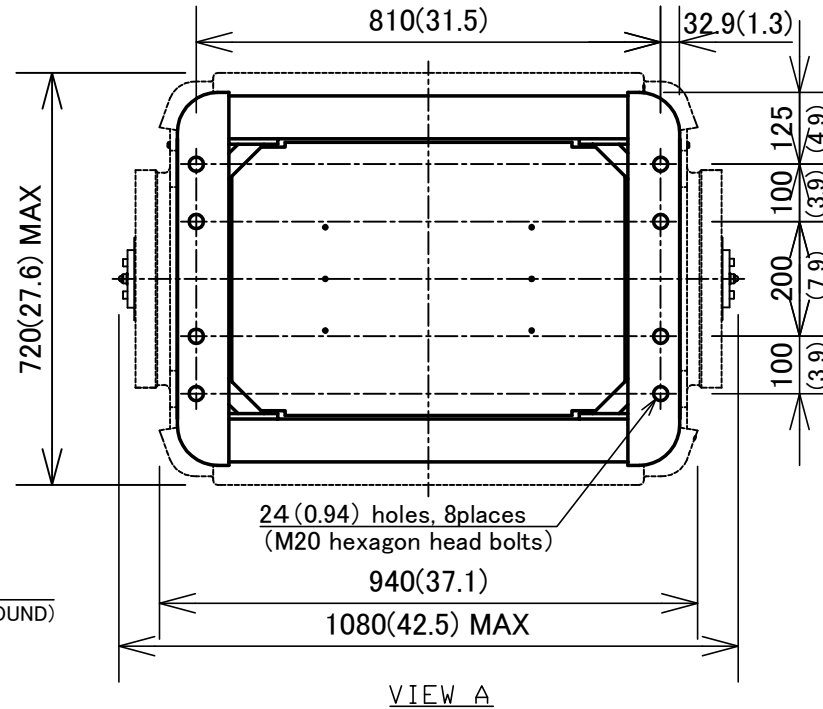


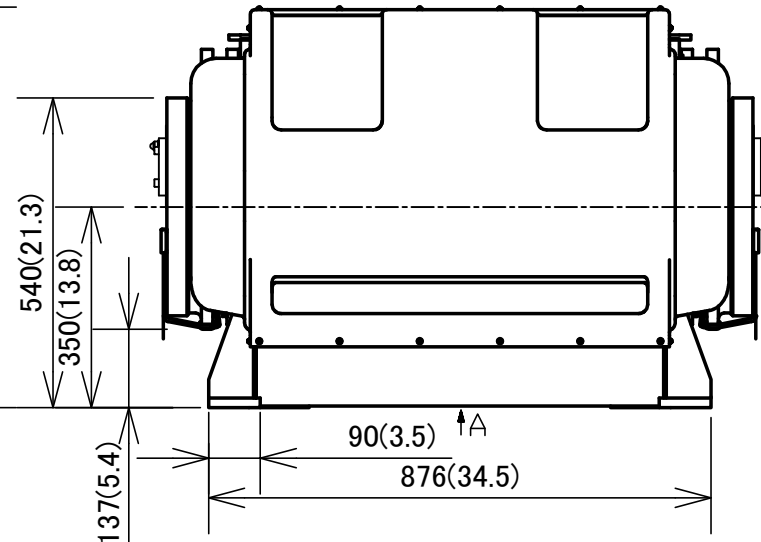
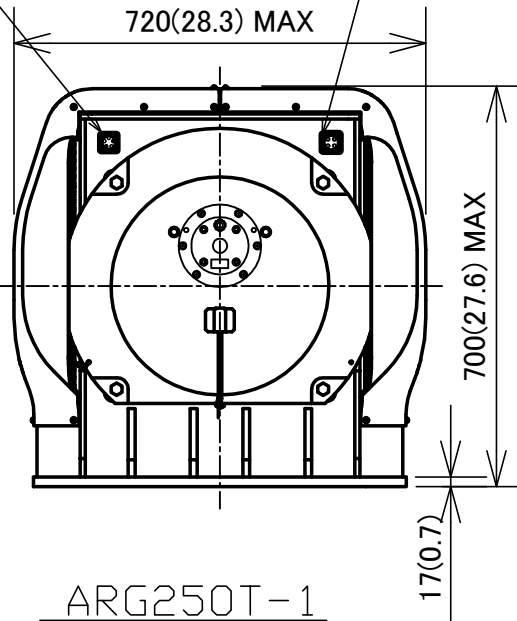
ARG250T-1 Specification
(for Low wave height)

Name	ARG250T-1
Model	MSM-25000T-B1
Angular Momentum	Approx. 5,000Nms
Anti-Rolling Torque	Approx. 25,000Nm(Max)
Dimensions	700mm × 1,080mm × 720mm
Weight	Approx. 700kg
Rotation Speed	Approx. 3,750rpm
Power Consumption (Steady-state)	Approx. 3.5kW/For single-phase Power Supply @220-240VAC Approx. 3.0kW/For three-phase Power Supply @200-240VAC
Power Consumption (Max)	Approx. 4.8kW/For single-phase Power Supply @220-240VAC Approx. 4.3kW/For three-phase Power Supply @200-240VAC



SAFETY DEVICE CONNECTOR
(1, 2, GROUND)

CONNECTOR
(U, V, W, GROUND)



unit : mm(inch)

名称 TITLE
Anti Rolling Gyro
250T-1